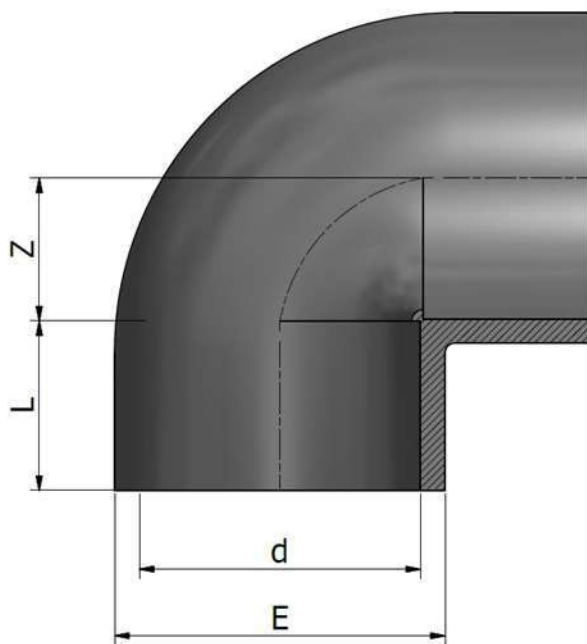


PVCu Solvent welded metric fittings
PVCu Raccordi metrici per incollaggio

PVC-U Solvent welded metric fittings
PVC-U Raccordi per incollaggio metrici

ELBOW 90°
GOMITO 90°

Rev. Oct 2020



Code	d	L	Z	E	PN	Weight (g)	
RDRGOD0160	16	14	9	23	16	13	1
RDRGOD0200	20	16	11	27	16	20	1
RDRGOD0250	25	19	13	33	16	35	2
RDRGOD0320	32	22	17	41	16	60	2
RDRGOD0400	40	26	22	50	16	90	2
RDRGOD0500	50	30	26	60	16	135	2
RDRGOD0630	63	38	32	74	16	220	2
RDRGOD0750	75	45	39	89	16	375	3
RDRGOD0900	90	51	46	105	16	600	3
RDRGOD1100	110	61	56	130	16	1050	4
RDRGOD1250	125	72	63	145	16	1350	4
RDRGOD1400	140	79	73	164	16	2000	4

Code	d	L	Z	E	PN	Weight (g)	
RDRGOD1600	160	89	81	187	16	3200	4
RDRGOD2000	200	106	102	230	16*	5850	
RDRGOD2250	225	119	114	257	16*	7500	
RDRGOD2500	250	132	185	285	10	12480	
RDRGOD2800	280	147	210	325	10	17000	
RDRGOD3150	315	164	236	359	10	23370	
RDRGOD3550	355	184	177	393	5	20850	
RDRGOD4000	400	206	202	439	5	26350	

*Reduced safety factor / *Fattore di sicurezza ridotto*

Marks / *Marchi*:

1. KIWA UNI, KIWA, DVGW
2. KIWA UNI, KIWA, DVGW, NF
3. KIWA UNI, KIWA, DVGW, NF on request / *UNI, KIWA, DVGW, NF a richiesta.*

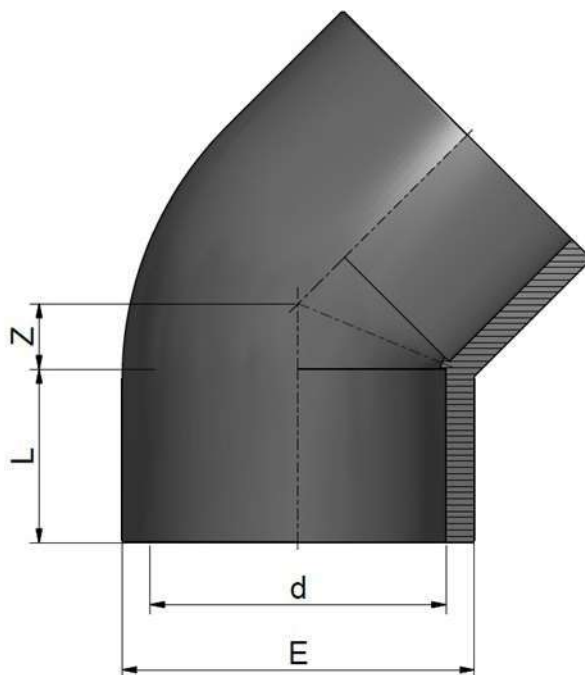


NSF and WRAS certifications: only for valves with EPDM seals. Certifications and approvals are related to items declared on Official Listing or certificates. /
 Certificazioni NSF e WRAS: valide solo per le valvole con guarnizioni EPDM. Le certificazioni si riferiscono ai prodotti dichiarati nelle Official Listing o sui certificati stessi.

PVC-U Solvent welded metric fittings
PVC-U Raccordi per incollaggio metrici

ELBOW 45°
GOMITO 45°

Rev. Oct 2020



Code	d	L	Z	E	PN	Weight (g)
RDRGYD0160	16	14	5	23	16	10
RDRGYD0200	20	17	4	28	16	17
RDRGYD0250	25	19	7	33	16	30
RDRGYD0320	32	22	8	41	16	47
RDRGYD0400	40	26	10	50	16	77
RDRGYD0500	50	32	11	62	16	115
RDRGYD0630	63	37	14	75	16	154
RDRGYD0750	75	43	17	88	16	310
RDRGYD0900	90	51	22	106	16	451
RDRGYD1100	110	61	24	128	16	835
RDRGYD1250	125	69	27	145	16	1080
RDRGYD1400	140	77	30	163	16	1640

Code	d	L	Z	E	PN	Weight (g)	
RDRGYD1600	160	87	35	185	16	2100	1
RDRGYD2000	200	106	42	232	16*	5000	
RDRGYD2250	225	119	48	258	16*	6200	
RDRGYD2500	250	131	57	288	10	7700	
RDRGYD2800	280	146	62	320	10	10460	
RDRGYD3150	315	164	66	359	10	15500	
RDRGYD3550	355	184	77	393	5	16000	
RDRGYD4000	400	206	83	439	5	20200	

*Reduced safety factor / *Fattore di sicurezza ridotto*

Marks / *Marchi*:

1. KIWA UNI, KIWA, DVGW
- 2.. KIWA UNI, KIWA, DVGW, NF

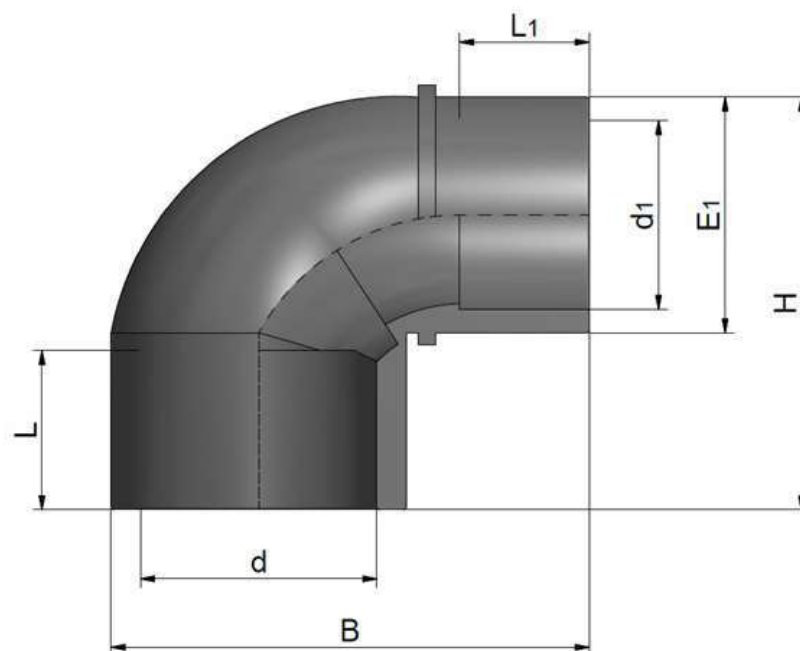


NSF and WRAS certifications: only for valves with EPDM seals. Certifications and approvals are related to items declared on Official Listing or certificates. /
 Certificazioni NSF e WRAS: valide solo per le valvole con guarnizioni EPDM. Le certificazioni si riferiscono ai prodotti dichiarati nelle Official Listing o sui certificati stessi.

PVC-U Solvent welded metric fittings
PVC-U Raccordi per incollaggio metrici

ELBOW 90° REDUCED F-M/F
GOMITO 90° RIDOTTO F-M/F

Rev. Jul 2020

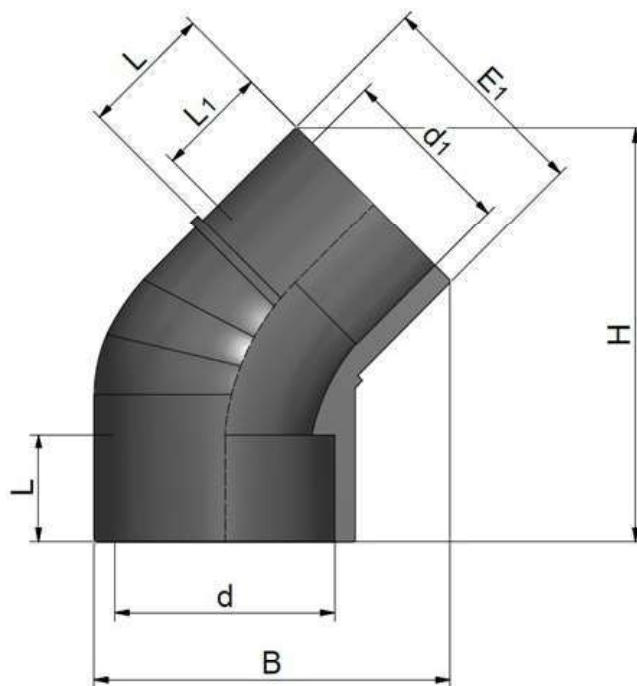


Code	d	d1	E1	L	L1	B	H	PN	Weight (g)
RDRGRD032C	32	25	32	22	20	68	54	16	56
RDRGRD040D	40	32	40	27	22	81	70	16	65
RDRGRD050E	50	40	50	31	27	102,5	107	16	85
RDRGRD063F	63	50	63	39	32	123,5	107	16	109
RDRGRD075G	75	63	75	40	32	140	119,5	16	123
RDRGRD110I	110	90	110	60	47	205	175	16	198

PVC-U Solvent welded metric fittings
PVC-U Raccordi per incollaggio metrici

ELBOW 90° REDUCED F-M/F
GOMITO 90° RIDOTTO F-M/F

Rev. Jul 2020

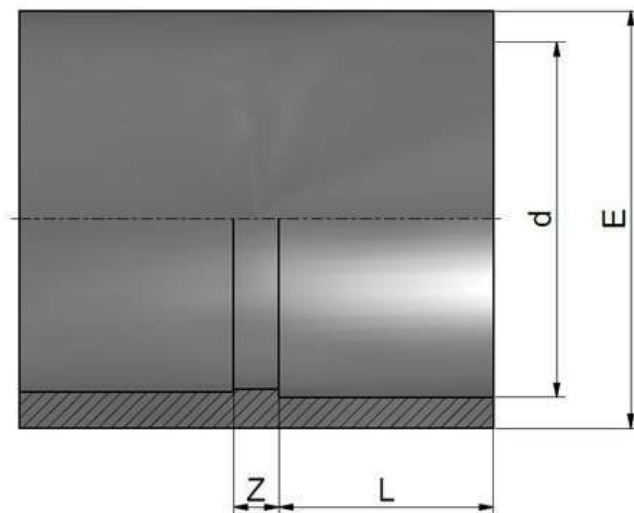


Code	d	E	d1	L	L1	B	H	PN	Weight (g)
RDRGYR032C	32	32	25	22	19	57	65	16	60
RDRGYR040D	40	40	32	26	22	69	79	16	90
RDRGYR050E	50	50	40	31	23	86	96	16	135
RDRGYR063F	63	63	50	38	32	103	120	16	220
RDRGYR075G	75	75	63	45	38	121	142	16	375

PVC-U Solvent welded metric fittings
PVC-U Raccordi per incollaggio metrici

SOCKET
MANICOTTO

Rev. Oct 2019



Code	d	L	Z	E	PN	Weight (g)
RDRMAD0160	16	14	3	23	16	9
RDRMAD0200	20	16	4	26	16	15
RDRMAD0250	25	19	4	33	16	23
RDRMAD0320	32	22	4	41	16	36
RDRMAD0400	40	26	5	51	16	60
RDRMAD0500	50	31	4	60	16	85
RDRMAD0630	63	38	4	74	16	145
RDRMAD0750	75	43	6	88	16	218
RDRMAD0900	90	50	7	105	16	348
RDRMAD1100	110	61	5	128	16	605
RDRMAD1250	125	69	7	145	16	840
RDRMAD1400	140	76	11	161	16	1100
RDRMAD1600	160	86	8	182	16	1400

Code	d	L	Z	E	PN	Weight (g)
RDRMAD1800	180	96	8	209	10	2530
RDRMAD2000	200	106	14	230	16*	2600
RDRMAD2250	225	118	14	247	16*	4100
RDRMAD2500	250	131	10	286	10	6000
RDRMAD2800	280	146	10	320	10	7630
RDRMAD3150	315	164	12	355	10	9780
RDRMAD3550	355	185	11	386	5	11200
RDRMAD4000	400	206	12	437	5	14400

*Reduced safety factor / *Fattore di sicurezza ridotto*

Marks / *Marchi*:

1. KIWA, DVGW
2. KIWA UNI, KIWA, DVGW
3. KIWA UNI, KIWA, DVGW, NF
4. KIWA UNI



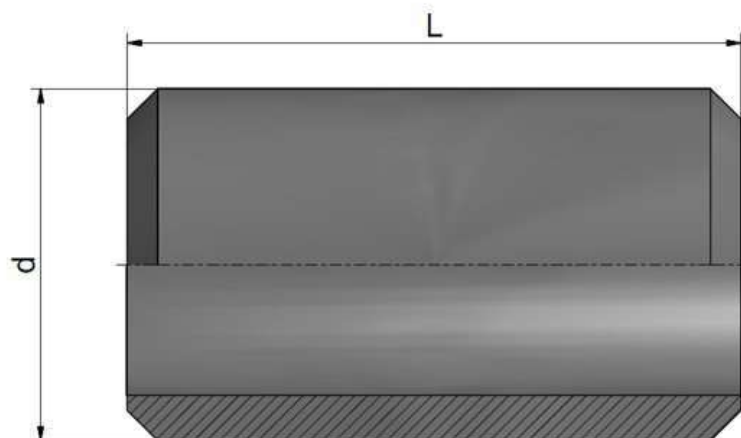
NSF and WRAS certifications: only for valves with EPDM seals. Certifications and approvals are related to items declared on Official Listing or certificates. /
Certificazioni NSF e WRAS: valide solo per le valvole con guarnizioni EPDM. Le certificazioni si riferiscono ai prodotti dichiarati nelle Official Listing o sui certificati stessi.

PVC-U Solvent welded metric fittings

PVC-U Raccordi per incollaggio metrici

SPIGOT MANICOTTO MASCHIO

Rev. Oct 2019
FN6369



Code	d	L	PN	Weight (g)
RDRMAM0200	20	34	16	15
RDRMAM0250	25	40	16	23
RDRMAM0320	32	46	16	36
RDRMAM0400	40	53	16	60
RDRMAM0500	50	65	16	85
RDRMAM0630	63	79	16	115

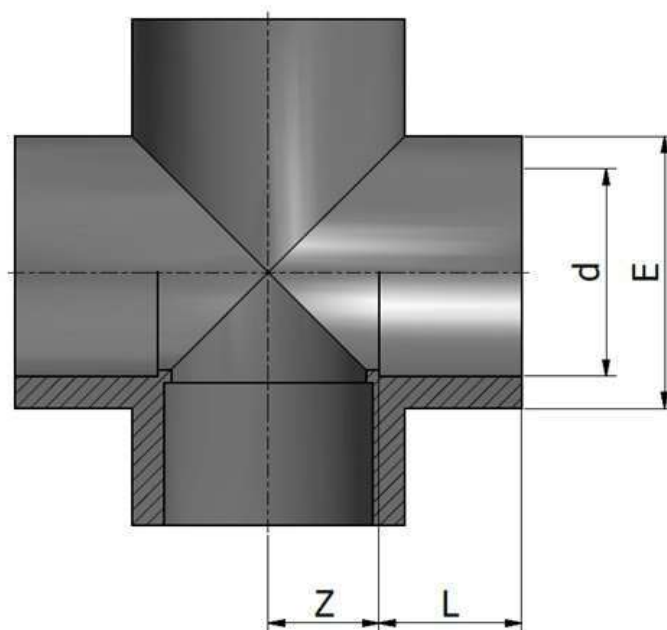


NSF and WRAS certifications: only for valves with EPDM seals. Certifications and approvals are related to items declared on Official Listing or certificates. /
Certificazioni NSF e WRAS: valide solo per le valvole con guarnizioni EPDM. Le certificazioni si riferiscono ai prodotti dichiarati nelle Official Listing o sui certificati stessi.

PVC-U Solvent welded metric fittings
PVC-U Raccordi per incollaggio metrici

CROSS
CROCE

Rev. Apr 2019

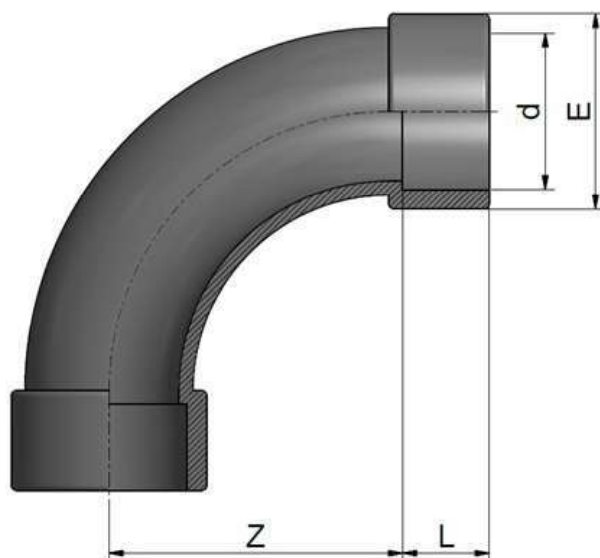


Code	d	L	Z	E	PN	Weight (g)
RDRCRD0200	20	16	11	28	16	29
RDRCRD0250	25	19	14	34	16	49
RDRCRD0320	32	22	17	42	16	84
RDRCRD0400	40	26	21	51	16	140
RDRCRD0500	50	31	26	61	16	206
RDRCRD0630	63	38	33	75	16	345
RDRCRD0750	75	44	40	89	16	574
RDRCRD0900	90	51	46	106	16	950
RDRCRD1100	110	61	56	130	16	1600

PVC-U Solvent welded metric fittings
PVC-U Raccordi per incollaggio metrici

BEND 90°
CURVA 90°

Rev. Nov 2019

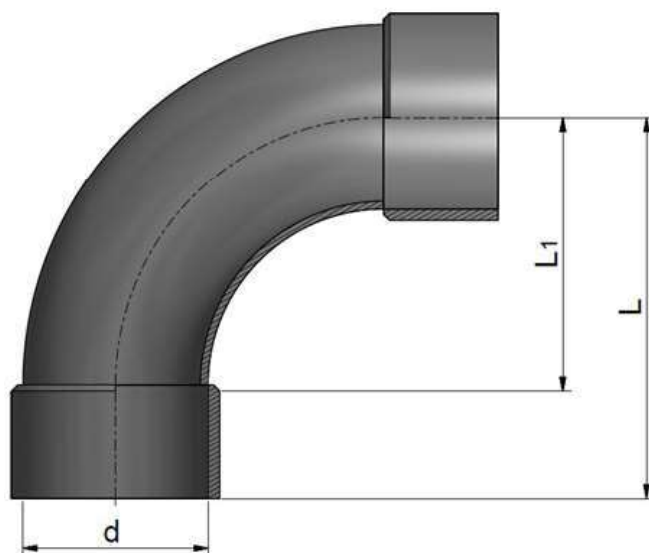


Code	d	L	Z	E	PN	Weight (g)
RRCUD0200	20	16	40	28	16	45
RRCUD0250	25	19	50	35	16	74
RRCUD0320	32	22	64	42	16	123
RRCUD0400	40	26	80	51	16	210
RRCUD0500	50	31	100	63	16	313
RRCUD0630	63	38	126	77	16	544
RRCUD0750	75	44	150	94	16	1007
RRCUD0900	90	51	180	113	16	1756
RRCUD1100	110	61	220	132	16	2814

PVC-U Solvent welded metric fittings
PVC-U Raccordi per incollaggio metrici

BEND 90° MADE FROM PIPE
CURVA 90° DA TUBO

Rev. Jun 2019

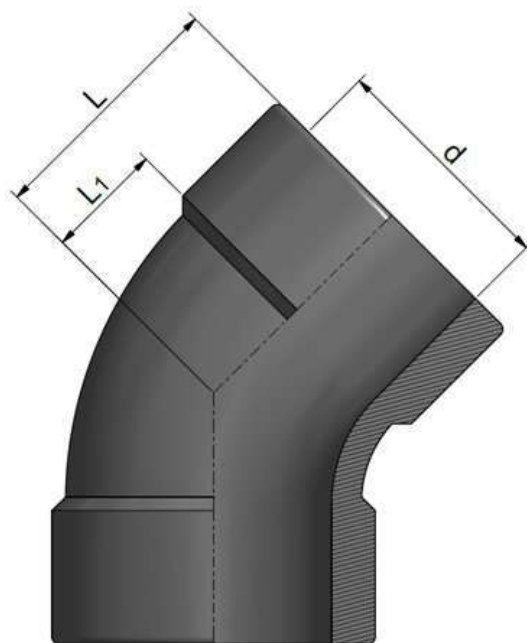


Code	d	L	L1	PN	Weight (g)
RDRUCDT0320	32	87	59	16	60
RDRUCDT0400	40	107	73	16	120
RDRUCDT0500	50	140	90	16	210
RDRUCDT0630	63	170	120	16	380
RDRUCDT0750	75	210	150	16	680
RDRUCDT0900	90	250	170	16	1050
RDRUCDT1100	110	248	174	12,5	1210
RDRUCDT1250	125	295	210	12,5	2000
RDRUCDT1400	140	333	234	12,5	2800
RDRUCDT1600	160	368	256	12,5	4150
RDRUCDT2000	200	465	322	12,5	8000
RDRUCDT2250	225	517	380	10	10500
RDRUCDT2500	250	535	385	10	13900
RDRUCDT2800	280	648	480	10	18830
RDRUCDT3150	315	815	595	10	31210

PVC-U Solvent welded metric fittings
PVC-U Raccordi per incollaggio metrici

BEND 45° MADE FROM PIPE
CURVA 45° DA TUBO

Rev. Jun 2019

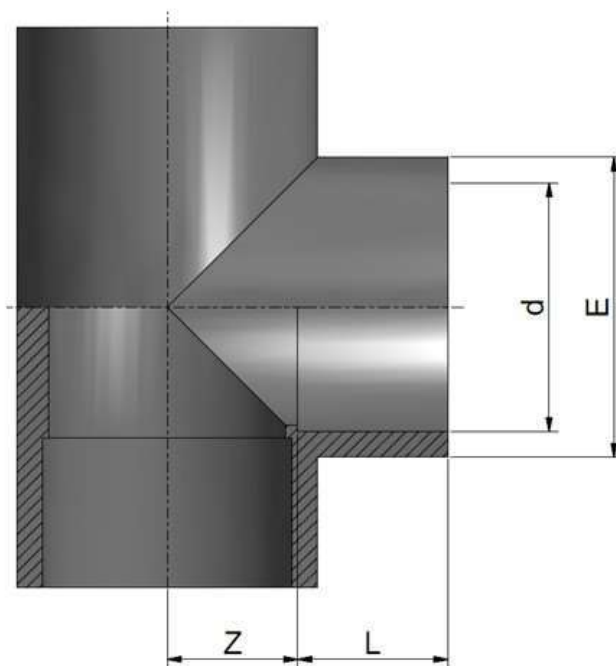


Code	d	L	L1	PN	Weight (g)
RDCYDT0320	32	54	30	16	50
RDCYDT0400	40	70	39	16	80
RDCYDT0500	50	90	50	16	140
RDCYDT0630	63	110	60	16	280
RDCYDT0750	75	120	70	16	430
RDCYDT0900	90	125	55	16	850
RDCYDT1100	110	145	70	12,5	890
RDCYDT1250	125	160	81	12,5	1360
RDCYDT1400	140	190	100	12,5	2000
RDCYDT1600	160	210	102	12,5	2900
RDCYDT2000	200	267	135	12,5	5500
RDCYDT2250	225	305	165	10	7300
RDCYDT2500	250	345	163	10	10000
RDCYDT2800	280	382	214	10	13580
RDCYDT3150	315	445	235	10	19730

PVC-U Solvent welded metric fittings
PVC-U Raccordi per incollaggio metrici

TEE 90°
TI 90°

Rev. Jul 2021



Code	d	L	Z	E	PN	Weight (g)	
RDRTID0160	16	14	9	23	16	15	1
RDRTID0200	20	17	11	27	16	25	1
RDRTID0250	25	19	14	33	16	44	1
RDRTID0320	32	22	17	42	16	75	1
RDRTID0400	40	26	21	51	16	120	1
RDRTID0500	50	31	26	62	16	172	1
RDRTID0630	63	38	33	76	16	300	1
RDRTID0750	75	44	39	89	16	495	1
RDRTID0900	90	51	47	106	16	790	1
RDRTID1100	110	61	56	130	16	1452	2
RDRTID1250	125	72	64	145	16	2100	2
RDRTID1400	140	79	72	162	16	2550	2
RDRTID1600	160	89	81	188	16	4100	2

Code	d	L	Z	E	PN	Weight (g)
RDRTID2000	200	106	101	232	16*	7362
RDRTID2250	225	119	114	258	16*	9700
RDRTID2500	250	131	128	287	10	13250
RDRTID2800	280	146	144	319	10	17840
RDRTID3150	315	164	162	360	10	25300
RDRTID3550	355	184	294	386	5	37300
RDRTID4000	400	206	280	434	5	42100

*Reduced safety factor / *Fattore di sicurezza ridotto*

Marks / *Marchi*:

1. KIWA UNI, KIWA, DVGW
2. KIWA UNI

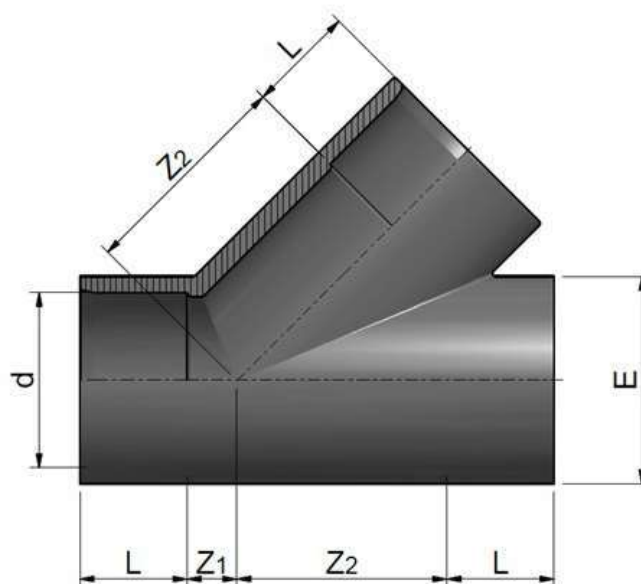


NSF and WRAS certifications: only for valves with EPDM seals. Certifications and approvals are related to items declared on Official Listing or certificates. /
 Certificazioni NSF e WRAS: valide solo per le valvole con guarnizioni EPDM. Le certificazioni si riferiscono ai prodotti dichiarati nelle Official Listing o sui certificati stessi.

PVC-U Solvent welded metric fittings
PVC-U Raccordi per incollaggio metrici

TEE 45°
TI 45°

Rev. Apr 2019

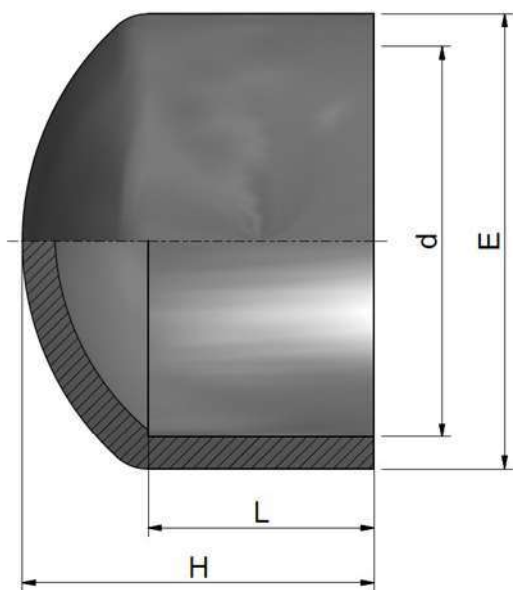


Code	d	L	Z1	Z2	E	PN	Weight (g)
RDRTYD0200	20	16	7	29	27,5	16	36
RDRTYD0250	25	19	7	36	33,5	16	59
RDRTYD0320	32	22	8	44	42	16	103
RDRTYD0400	40	26	10	54	51	16	125
RDRTYD0500	50	31	12	65	61	16	254
RDRTYD0630	63	38	14	80	74,5	16	420
RDRTYD0750	75	44	20	94	89	16	675
RDRTYD0900	90	51	21	113	106	10	1100
RDRTYD1100	110	61	23	143	129	10	1920
RDRTYD1600	160	86	35	200	189	10	6600

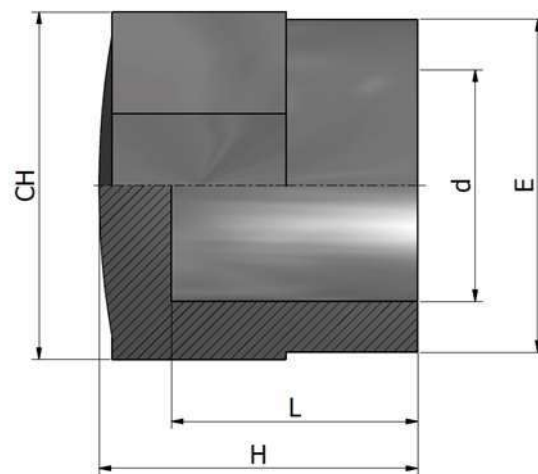
PVC-U Solvent welded metric fittings
PVC-U Raccordi per incollaggio metrici

CAP
CALOTTA

Rev. Oct 2020



d 20-315 mm



d 16 mm, CH = 24 mm

Code	d	L	H	E	PN	Weight (g)	
RDRCAD0160	16	17	22	23	16	7	1
RDRCAD0200	20	16	30	27	16	10	2
RDRCAD0250	25	19	34	33	16	18	3
RDRCAD0320	32	23	38	42	16	30	3
RDRCAD0400	40	27	43	50	16	45	3
RDRCAD0500	50	33	49	61	16	65	3
RDRCAD0630	63	38	56	75	16	110	3
RDRCAD0750	75	45	67	89	16	208	3
RDRCAD0900	90	52	81	106	16	325	3
RDRCAD1100	110	63	97	128	16	500	4
RDRCAD1250	125	69	99	145	16	670	4
RDRCAD1400	140	77	107	161	16	920	4
RDRCAD1600	160	87	127	182	16	1120	4

Code	d	L	H	E	PN	Weight (g)
RDRCAD2000	200	106	166	231	10	1680
RDRCAD2250	225	118	173	247	10	2978
RDRCAD2500	250	131	208	286	10	5530
RDRCAD3150	315	165	267	352	10	8650

Marks / Marchi:

1. KIWA, DVGW
2. KIWA UNI, KIWA, DVGW
3. KIWA UNI, KIWA, DVGW, NF
4. KIWA UNI



NSF and WRAS certifications: only for valves with EPDM seals. Certifications and approvals are related to items declared on Official Listing or certificates. /
 Certificazioni NSF e WRAS: valide solo per le valvole con guarnizioni EPDM. Le certificazioni si riferiscono ai prodotti dichiarati nelle Official Listing o sui certificati stessi.

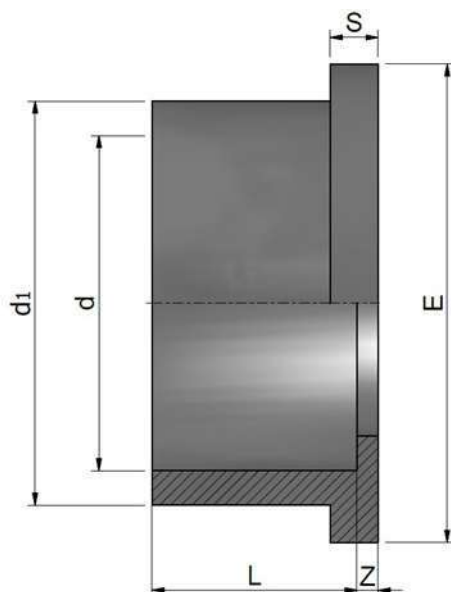
PVC-U Solvent welded metric fittings

PVC-U Raccordi per incollaggio metrici

SERRATED FACE STUB FLANGE

COLLARE RIGATO PER FLANGE

Rev. Oct 2020



Code	d	d1	L	Z	E	S	PN	Weight (g)
RDRQRD0200	20	27	16	3	34	3	16	10
RDRQRD0250	25	33	19	4	41	3	16	16
RDRQRD0320	32	41	22	4	50	7	16	25
RDRQRD0400	40	50	26	3	61	8	16	41
RDRQRD0500	50	61	32	4	73	9	16	60
RDRQRD0630	63	76	38	4	90	10	16	105
RDRQRD0750	75	90	44	5	106	10	16	160
RDRQRD0900	90	108	52	4	125	11	16	280
RDRQRD1100	110	131	62	5	149	12	16	445
RDRQRD1250	125	148	70	6	169	12	16	540
RDRQRD1400	140	165	77	8	189	13	16	740
RDRQRD1600	160	188	87	7	214	13	16	1000
RDRQRD2000	200	231	106	7	254	19	10	2000
RDRQRD2250	225	248	119	9	273	20	10	1700
RDRQRD2500	250	271	131	10	306	20	16	2140
RDRQRD2800	280	307	147	14,5	327	32	10	3650
RDRQRD3150	315	346	165	16	377	32	10	4950
RDRQRD3550	355	386	184	8	431	30	5	6050
RDRQRD4000	400	434	206	12	483	30	5	8100

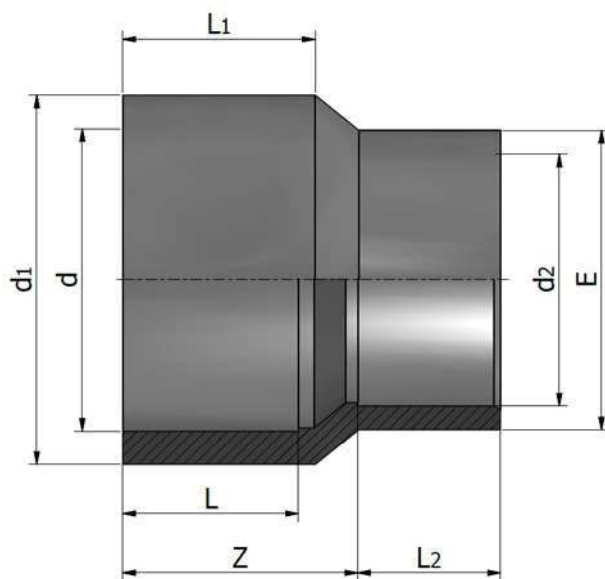


NSF and WRAS certifications: only for valves with EPDM seals. Certifications and approvals are related to items declared on Official Listing or certificates. /
 Certificazioni NSF e WRAS: valide solo per le valvole con guarnizioni EPDM. Le certificazioni si riferiscono ai prodotti dichiarati nelle Official Listing o sui certificati stessi.

PVC-U Solvent welded metric fittings
PVC-U Raccordi per incollaggio metrici

REDUCING PIECE
RIDUZIONE LUNGA

Rev. Jul 2020



Code	d	d1	d2	E	L	L1	L2	Z	PN	Weight (g)
RDRRLD020A	20	25	16	23	16	19	14	22	16	9
RDRRLD020B	20	25	20	26	16	19	16	24,5	16	12
RDRRLD025A	25	32	16	23	19	22	14	25	16	16
RDRRLD025B	25	32	20	28	19	22	16	25	16	17
RDRRLD025C	25	32	25	33	19	22	19	25	16	18
RDRRLD032B	32	40	20	28	22	24	16	31	16	27
RDRRLD032C	32	40	25	33	22	24	19	30	16	27
RDRRLD032D	32	40	32	40	22	26	22	31	16	28
RDRRLD040C	40	50	25	33	28	31	19	40	16	49
RDRRLD040D	40	50	32	41	28	31	22	37	16	53
RDRRLD040E	40	50	40	50	26	31	26	36	16	56
RDRRLD050D	50	63	32	41	31	38	22	43	16	88
RDRRLD050E	50	63	40	50	32	38	26	44	16	93
RDRRLD050F	50	63	50	63	31	38	31	54	16	110
RDRRLD063E	63	75	40	50	38	44	26	55	16	125
RDRRLD063F	63	75	50	60	38	44	32	50	16	130
RDRRLD063G	63	75	63	75	38	44	38	41	16	140
RDRRLD075F	75	90	50	61	44	51	31	62	16	200
RDRRLD075G	75	90	63	75	44	51	38	55	16	222
RDRRLD075H	75	90	75	90	44	44	44	47	16	237

Code	d	d1	d2	E	L	L1	L2	Z	PN	Weight (g)
RDRRLD090F	90	110	50	61	51	61	31	79	16	371
RDRRLD090G	90	110	63	75	51	61	38	73	16	378
RDRRLD090H	90	110	75	90	51	61	44	67	16	402
RDRRLD090I	90	110	90	110	51	61	51	56	16	442
RDRRLD110G	110	125	63	75	61	69	38	89	16	398
RDRRLD110H	110	125	75	88	61	69	44	84	16	428
RDRRLD110I	110	125	90	106	61	69	51	78	16	490
RDRRLD110L	110	125	110	125	61	61	61	66	16	675
RDRRLD125I	125	140	90	106	69	76	51	93	16	580
RDRRLD125L	125	140	110	129	69	76	61	86	16	645
RDRRLD125M	125	140	125	129	69	76	61	86	16	590
RDRRLD140I	140	160	90	106	76	86	51	100	16	812
RDRRLD140L	140	160	110	129	76	86	61	94	16	912
RDRRLD140M	140	160	125	145	76	86	69	84	16	950
RDRRLD140N	140	160	140	160	76	80	76	84	16	1000
RDRRLD160L	160	190	110	138	86	-	61	130	10	1900
RDRRLD160M	160	190	125	155	86	-	68,5	117	10	2080
RDRRLD160N	160	184	140	164	86	-	76	94	10	2000
RDRRLD200L	200	234	110	138	103	-	61	181	10	3100
RDRRLD200N	200	234	140	170	103	-	76	155	10	3200
RDRRLD200O	200	234	160	190	103	-	86	138	10	3200
RDRRLD225O	225	258	160	190	104	-	86	161	10	4000
RDRRLD225Q	225	258	200	227	104	-	106	126	10	3500
RDRRLD250Q	250	283	200	234	105	-	106	149	10	4500
RDRRLD250R	250	283	225	258	105	-	107	127	10	4900
RDRRLD315S	315	355	250	283	105	-	105	162	8	6800

PVC-U Solvent welded metric fittings

PVC-U Raccordi per incollaggio metrici

REDUCING BUSH

RIDUZIONE CORTA

Rev. Mar 2021

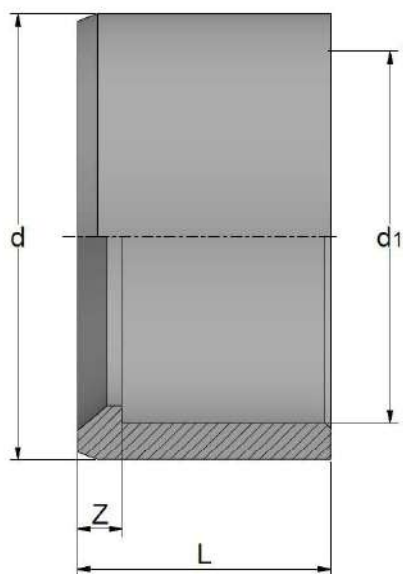


Fig. A

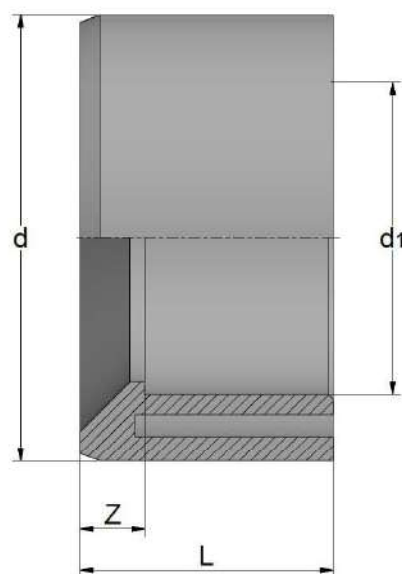


Fig. B

Code	Fig.	d	d1	L	Z	PN	Weight (g)
RDRRCD020A	A	20	16	16	2	16	3
RDRRCD025A	B	25	16	19	5	16	10
RDRRCD025B	A	25	20	19	3	16	6
RDRRCD032A	B	32	16	22	8	16	15
RDRRCD032B	A	32	20	22	6	16	15
RDRRCD032C	A	32	25	22	3	16	10
RDRRCD040B	B	40	20	26	10	16	29
RDRRCD040C	B	40	25	27	8	16	30
RDRRCD040D	A	40	32	26	4	16	16
RDRRCD050B	B	50	20	31	15	16	51
RDRRCD050C	B	50	25	31	12	16	45
RDRRCD050D	B	50	32	31	9	16	40
RDRRCD050E	A	50	40	31	5	16	30
RDRRCD063D	B	63	32	38	16	16	83
RDRRCD063E	B	63	40	37	11	16	78
RDRRCD063F	A	63	50	38	6	16	62
RDRRCD075E	B	75	40	44	18	16	125
RDRRCD075F	B	75	50	44	13	16	122
RDRRCD075G	A	75	63	44	6	16	80
RDRRCD090F	B	90	50	51	20	16	210
RDRRCD090G	B	90	63	51	13	16	195
RDRRCD090H	A	90	75	53	9	16	140
RDRRCD110G	B	110	63	61	23	16	372
RDRRCD110H	B	110	75	61	17	16	370

Code	Fig.	d	d1	L	Z	PN	Weight (g)
RDRRCD110I	A	110	90	61	10	16	275 3
RDRRCD125H	B	125	75	69	25	16	440
RDRRCD125I	B	125	90	69	18	16	373 3
RDRRCD125L	A	125	110	69	7	16	260 3
RDRRCD140I	B	140	90	76	25	16	600
RDRRCD140L	B	140	110	76	15	16	480
RDRRCD140M	A	140	125	76	7	16	320 3
RDRRCD160I	B	160	90	86	30	16	850
RDRRCD160L	B	160	110	86	26	16	725 3
RDRRCD160M	B	160	125	86	17	16	745
RDRRCD160N	A	160	140	86	10	16	710 3
RDRRCD200O	B	200	160	116	30	10	1370
RDRRCD200P	A	200	180	106	10	10	895
RDRRCD225O	B	225	160	119	33	10	1840
RDRRCD225Q	A	225	200	119	13	10	1360
RDRRCD250O	B	250	160	132	45	10	3100
RDRRCD250Q	B	250	200	106	26	10	2150
RDRRCD250R	A	250	225	132	12	12	1734
RDRRCD280R	B	280	225	147	27	10	4300
RDRRCD280S	A	280	250	147	15	15	2640
RDRRCD315Q	B	315	200	106	57	10	8650
RDRRCD315R	B	315	225	165	45	10	8100
RDRRCD315S	B	315	250	165	33	10	5080
RDRRCD315T	A	315	280	163	17	10	3600
RDRRCD355U	A	355	315	184	21	5	5500
RDRRCD400U	B	400	315	205	42	5	10200
RDRRCD400V	A	400	355	206	21	5	7500

Marks / Marchi:

1. NF
2. KIWA UNI, KIWA, DVGW, NF
3. KIWA UNI
4. KIWA UNI, KIWA

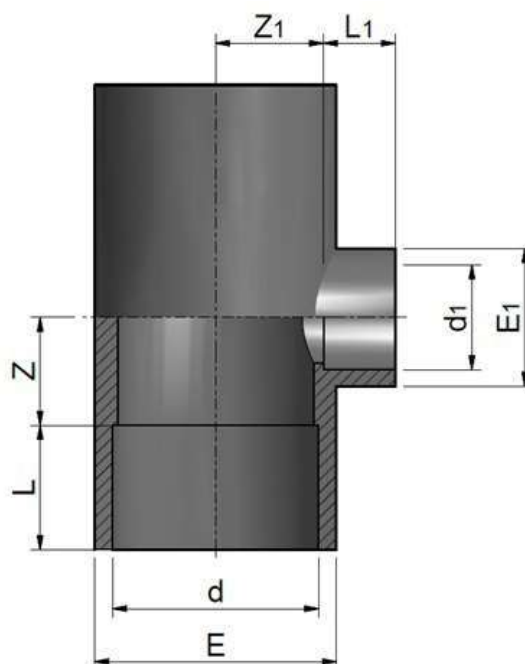


NSF and WRAS certifications: only for valves with EPDM seals. Certifications and approvals are related to items declared on Official Listing or certificates. /
 Certificazioni NSF e WRAS: valide solo per le valvole con guarnizioni EPDM. Le certificazioni si riferiscono ai prodotti dichiarati nelle Official Listing o sui certificati stessi.

PVC-U Solvent welded metric fittings
PVC-U Raccordi per incollaggio metrici

TEE 90° REDUCED
TI 90° RIDOTTO

Rev. Jun 2020



Code	d	d1	L	L1	Z	Z1	E	E1	PN	Weight (g)
RDTRD020A	20	16	16	14	11	11	28	23	16	25
RDTRD025A	25	16	19	16	14	14	33	24	16	40
RDTRD025B	25	20	19	16	14	14	34	28	16	42
RDTRD032A	32	16	22	14	17	17	42	24	16	68
RDTRD032B	32	20	23	16	18	18	42	28	16	69
RDTRD032C	32	25	23	19	18	18	42	34	16	70
RDTRD040B	40	20	27	16	21	21	50	28	16	105
RDTRD040C	40	25	26	19	21	21	51	34	16	107
RDTRD040D	40	32	27	22	21	21	50	42	16	112
RDTRD050B	50	20	31	16	26	26	61	28	16	165
RDTRD050C	50	25	31	19	26	26	61	34	16	157
RDTRD050D	50	32	31	22	26	26	61	42	16	162
RDTRD050E	50	40	31	26	26	26	61	51	16	168
RDTRD063B	63	20	38	16	33	33	75	25	16	278
RDTRD063C	63	25	38	19	33	33	75	34	16	282
RDTRD063D	63	32	38	22	33	33	74	42	16	275
RDTRD063E	63	40	38	26	33	33	74	51	16	277
RDTRD063F	63	50	38	31	33	33	74	60	16	296
RDTRD075D	75	32	44	22	39	39	89	42	16	453
RDTRD075E	75	40	45	26	39	39	90	51	16	465
RDTRD075F	75	50	45	31	39	39	90	61	16	465
RDTRD075G	75	63	45	38	39	39	90	74	16	478
RDTRD090E	90	40	51	26	47	47	106	51	16	714
RDTRD090F	90	50	51	31	47	47	106	61	16	703

Code	d	d1	L	L1	Z	Z1	E	E1	PN	Weight (g)
RDTRD090G	90	63	51	39	47	47	106	75	16	713
RDTRD090H	90	75	51	43	47	47	106	90	16	730
RDTRD110F	110	50	61	31	57	57	129	61	16	1250
RDTRD110G	110	63	61	34	56	56	130	75	16	1318
RDTRD110H	110	75	61	44	56	56	130	90	16	1260
RDTRD110I	110	90	61	51	56	56	130	106	16	1295
RDTRD125G	125	63	69	44	66	66	148	75	16	1660
RDTRD125H	125	75	69	44	66	66	148	89	16	1700
RDTRD125I	125	90	74	52	64	64	145	106	16	1750
RDTRD125L	125	110	74	63	64	64	145	130	16	1830
RDTRD140H	140	75	76	44	72	72	163	89	16	2267
RDTRD140I	140	90	76	51	72	72	163	106	16	2490
RDTRD140L	140	110	76	61	72	72	163	129	16	2560
RDTRD140M	140	125	76	69	72	72	163	148	16	2590
RDTRD160I	160	90	89	51	81	81	187	106	16	3750
RDTRD160L	160	110	89	61	81	81	187	130	16	3800
RDTRD160M	160	125	86	69	82	82	184	148	16	3890
RDTRD160N	160	140	86	76	82	82	184	163	16	3940
RDTRD180L	180	110	96	62	94	93	209	135	10	5550
RDTRD200I	200	90	106	52	58	102	225	112	10	5200
RDTRD200L	200	110	106	63	58	113	228	137	10	5200
RDTRD200O	200	160	106	87	87	103	228	185	10	6200
RDTRD225L	225	110	119,5	63	58	114	258	135	10	6600
RDTRD225O	225	160	119,5	88	84	115	258	193	10	8300
RDTRD250L	250	110	133	63	58	128	284	134	10	8300
RDTRD250O	250	160	131	87	86	129	284	189	10	9900
RDTRD250Q	250	200	131	106	133	132	284	228	10	12100
RDTRD280O	280	160	146	88	84	153	320	193	10	12500
RDTRD280R	280	225	146	117,5	117	148,5	320	258	10	15200
RDTRD315I	315	90	164	51	62	158	355	112	10	14300
RDTRD315L	315	110	164	62	62	158	355	135	8	14350
RDTRD315O	315	160	164	86	83	161	355	193	8	15150
RDTRD315Q	315	200	164	106	105	158	355	228	8	16600
RDTRD315R	315	225	164	118,5	128	162	355	259	8	17500
RDTRD315S	315	250	164	131	127	160	355	285	8	19300
RDTRD400L	400	110	206	61	55	200	438	134	8	17800
RDTRD400U	400	315	206	165	280	302	434	352	4	38700

PVC-U Solvent welded metric fittings

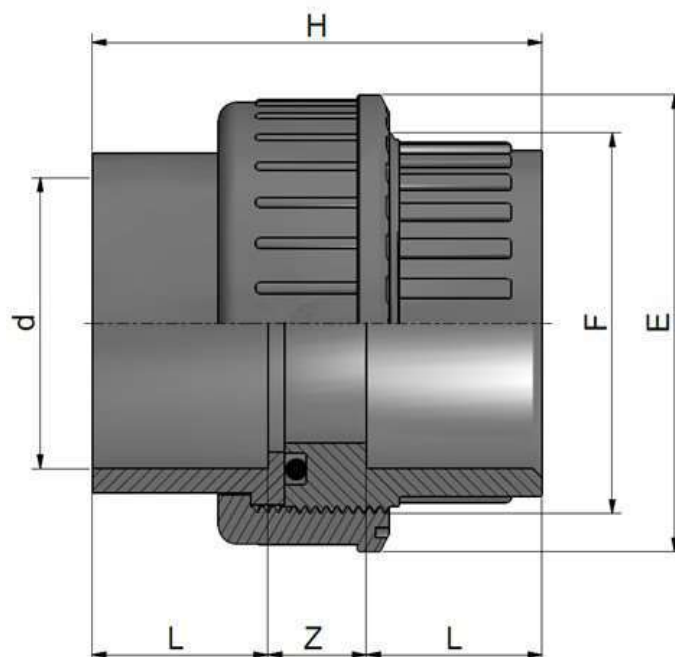
PVC-U Raccordi per incollaggio metrici

UNION F-F

BOCCHETTONE F-F

Rev. Oct 2020

- Seals: EPDM or FKM / *Guarnizioni: EPDM o FKM*



Code EPDM	Code FKM	d	L min	Z max	H	E	F	PN	Weight (g)
RDRBOD0160	RDRBOD016V	16	14	14	42	34	3/4"	16	27
RDRBOD0200	RDRBOD020V	20	16	13	45	43	1"	16	42
RDRBOD0250	RDRBOD025V	25	19	13	51	54	1"1/4	16	68
RDRBOD0320	RDRBOD032V	32	22	13	57	61	1"1/2	16	91
RDRBOD0400	RDRBOD040V	40	27	14	68	75	2"	16	149
RDRBOD0500	RDRBOD050V	50	31	18	80	81	2"1/4	16	189
RDRBOD0630	RDRBOD063V	63	38	22	98	99	2"3/4	16	322
RDRBOD0750	RDRBOD075V	75	44	22	110	120	3"1/2	16	567
RDRBOD0900	RDRBOD090V	90	51	23	125	134	4"	16	725
RDRBOD1100	RDRBOD110V	110	61	23	145	163	5"	16	1265



NSF and WRAS certifications: only for valves with EPDM seals. Certifications and approvals are related to items declared on Official Listing or certificates. /
 Certificazioni NSF e WRAS: valide solo per le valvole con guarnizioni EPDM. Le certificazioni si riferiscono ai prodotti dichiarati nelle Official Listing o sui certificati stessi.

PVC-U Solvent welded metric fittings

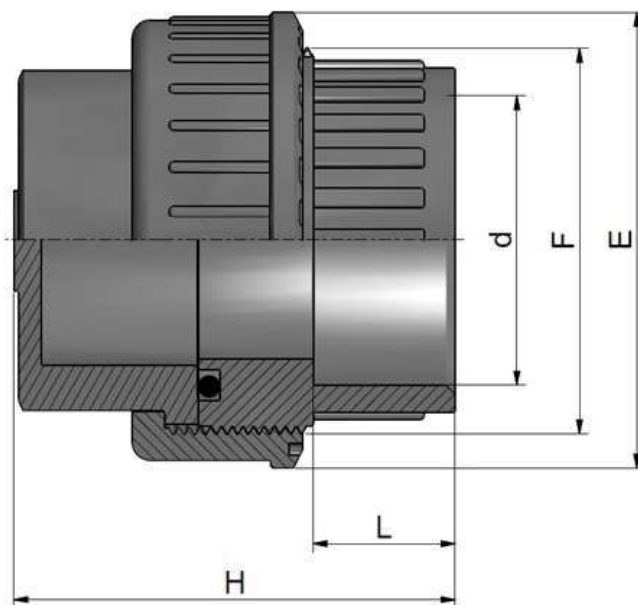
PVC-U Raccordi per incollaggio metrici

UNION WITH CAP

BOCCHETTONE CON TAPPO

- Seals: EPDM or FKM / *Guarnizioni: EPDM o FKM*

Rev. Oct 2020



Code EPDM	Code FKM	d	L min	H	E	F	PN	Weight (g)
RDRBOT0200	RDRBOT020V	20	16	49	43	1"	16	42
RDRBOT0250	RDRBOT025V	25	19	54	54	1"1/4	16	70
RDRBOT0320	RDRBOT032V	32	22	58	61	1"1/2	16	97
RDRBOT0400	RDRBOT040V	40	27	65	75	2"	16	155
RDRBOT0500	RDRBOT050V	50	31	76	81	2"1/4	16	216
RDRBOT0630	RDRBOT063V	63	38	96	99	2"3/4	16	250



NSF and WRAS certifications: only for valves with EPDM seals. Certifications and approvals are related to items declared on Official Listing or certificates. /
 Certificazioni NSF e WRAS: valide solo per le valvole con guarnizioni EPDM. Le certificazioni si riferiscono ai prodotti dichiarati nelle Official Listing o sui certificati stessi.

PVC-U Solvent welded metric fittings

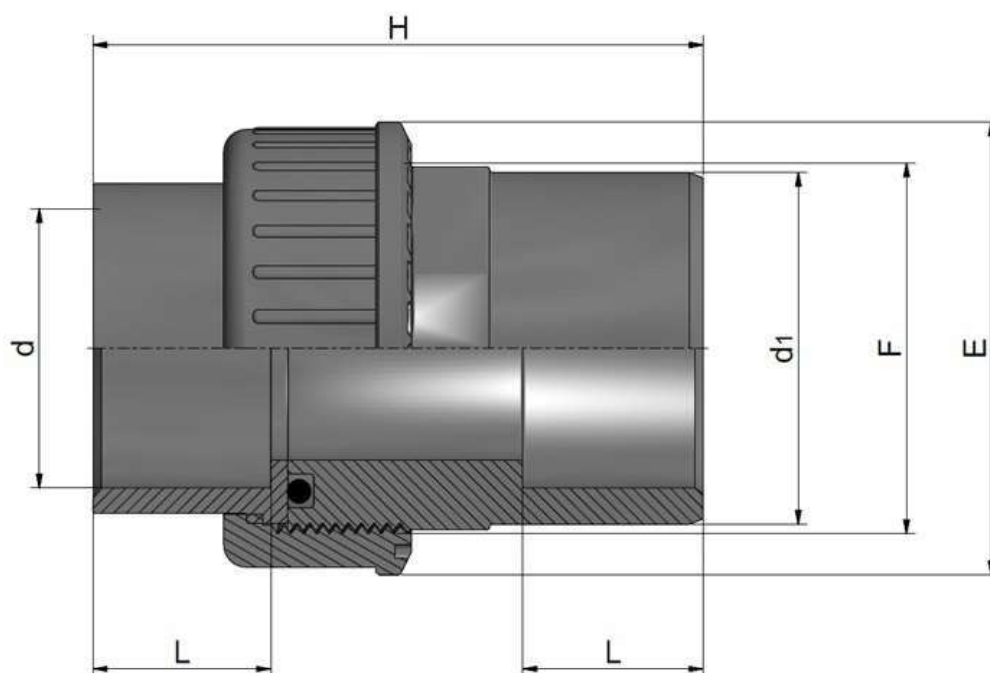
PVC-U Raccordi per incollaggio metrici

UNION ADAPTOR F-M/F

BOCCHETTONE ADATTATORE F-M/F

Rev. Oct 2020

- Seals: EPDM or FKM / *Guarnizioni: EPDM o FKM*



Code EPDM	Code FKM	d	d1	E	L	H	F	PN	Weight (g)
RDRBOP020B	RDRBOP020V	20	25	44	16	67	1"	16	34
RDRBOP025C	RDRBOP025V	25	32	54	19	73	1 1/4"	16	62
RDRBOP032D	RDRBOP032V	32	40	61	22	82	1 1/2"	16	95
RDRBOP040E	RDRBOP040V	40	50	75	27	96	2"	16	114
RDRBOP050F	RDRBOP050V	50	63	81	31	109	2 1/4"	16	225
RDRBOP063G	RDRBOP063V	63	75	99	38	130	2 3/4"	16	517



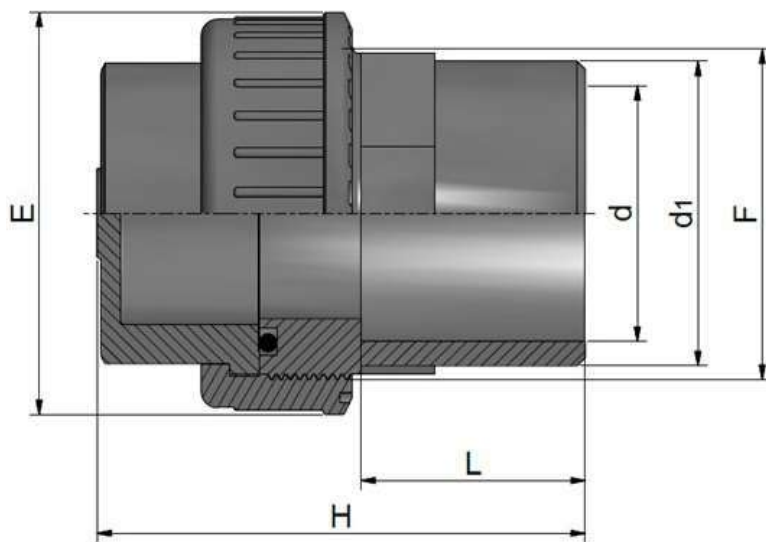
NSF and WRAS certifications: only for valves with EPDM seals. Certifications and approvals are related to items declared on Official Listing or certificates. /
 Certificazioni NSF e WRAS: valide solo per le valvole con guarnizioni EPDM. Le certificazioni si riferiscono ai prodotti dichiarati nelle Official Listing o sui certificati stessi.

PVC-U Solvent welded metric fittings PVC-U Raccordi per incollaggio metrici

UNION ADAPTOR F/M WITH CAP BOCCHETTONE ADATTATORE F/M CON TAPPO

- Seals: EPDM or FKM / Guarnizioni: EPDM o FKM

Rev. Oct 2020



Code EPDM	Code FKM	d	d1	L	H	E	F	PN	Weight (g)
RDRBAT0200	RDRBAT020V	20	25	16	71	43	1"	16	42
RDRBAT0250	RDRBAT025V	25	32	19	76	54	1 1/4"	16	70
RDRBAT0320	RDRBAT032V	32	40	22	83	61	1 1/2"	16	97
RDRBAT0400	RDRBAT040V	40	50	27	93	75	2"	16	155
RDRBAT0500	RDRBAT050V	50	63	31	105	81	2 1/4"	16	216
RDRBAT0630	RDRBAT063V	63	75	38	128	99	2 3/4"	16	250

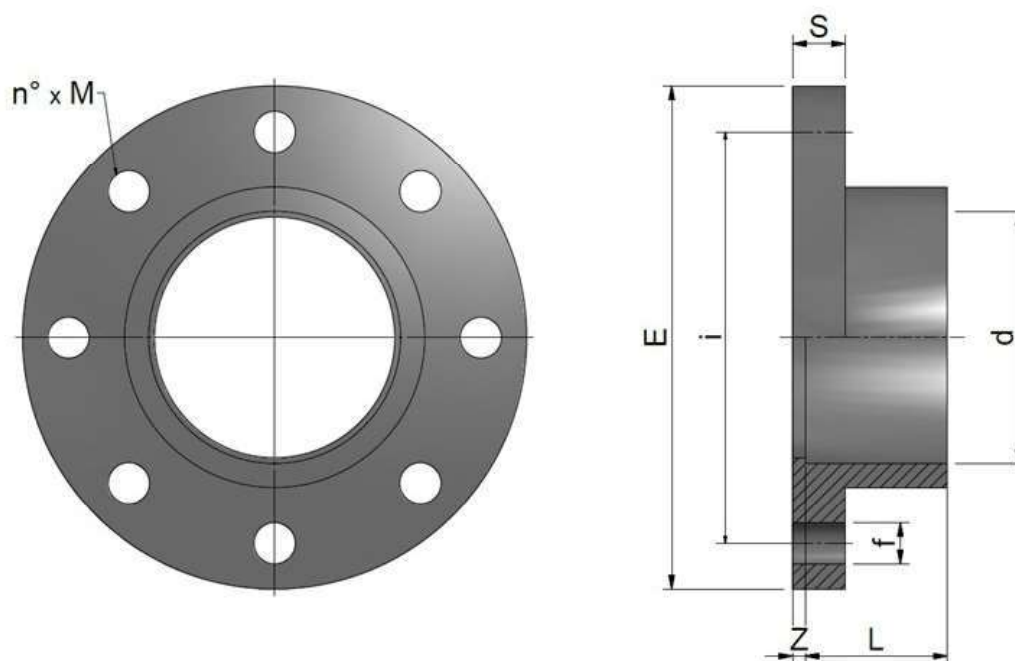


NSF and WRAS certifications: only for valves with EPDM seals. Certifications and approvals are related to items declared on Official Listing or certificates. /
Certificazioni NSF e WRAS: valide solo per le valvole con guarnizioni EPDM. Le certificazioni si riferiscono ai prodotti dichiarati nelle Official Listing o sui certificati stessi.

PVC-U Solvent welded metric fittings
PVC-U Raccordi per incollaggio metrici

FIXED FLANGE EN/ISO/DIN
FLANGIA FISSA EN/ISO/DIN

Rev. Oct 2020



Code	d	DN	L	Z	S	E	i	f	n° x M	PN	Weight (g)
RDRFFD0200	20	15	16	5	11	95	65	14	4 x M12	16	75
RDRFFD0250	25	20	19	5	12	105	75	14	4 x M12	16	102
RDRFFD0320	32	25	22	5	14	115	85	14	4 x M12	16	138
RDRFFD0400	40	32	26	5	15	142	100	18	4 x M16	16	228
RDRFFD0500	50	40	31	5	16	152	110	18	4 x M16	16	284
RDRFFD0630	63	50	38	5	18	165	125	18	4 x M16	16	380
RDRFFD0750	75	65	44	6	19	185	145	18	4 x M16	16	505
RDRFFD0900	90	75	51	7	20	200	160	18	8 x M16	16	685
RDRFFD1100	110	100	63	8	22	220	180	18	8 x M16	16	940



NSF and WRAS certifications: only for valves with EPDM seals. Certifications and approvals are related to items declared on Official Listing or certificates. /
 Certificazioni NSF e WRAS: valide solo per le valvole con guarnizioni EPDM. Le certificazioni si riferiscono ai prodotti dichiarati nelle Official Listing o sui certificati stessi.

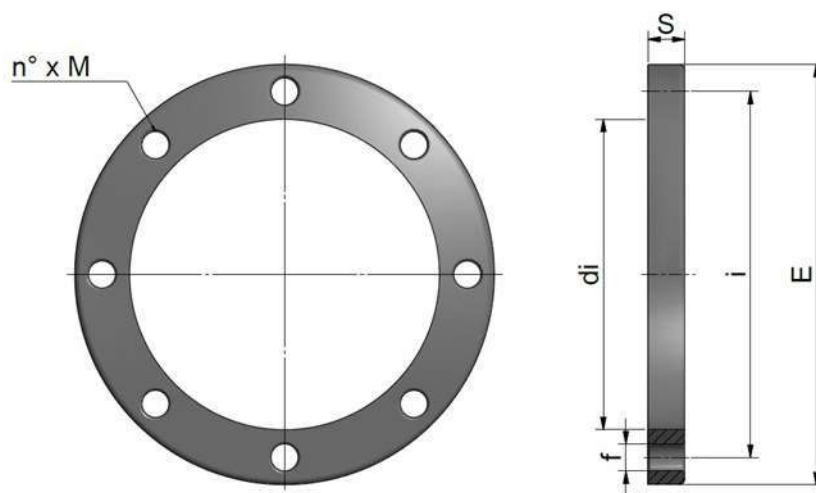
PVC-U Solvent welded metric fittings

PVC-U Raccordi per incollaggio metrici

BACKING RING EN/ISO/DIN

FLANGIA LIBERA EN/ISO/DIN

Rev. Jul. 2021



Code	d	DN	di	E	S	i	f	n° x M	PN	Weight (g)	
RDRFLD0200	20	1/2"	15	28	96	11	65	14	4 x M12	16	60
RDRFLD0250	25	3/4"	20	34	107	12	75	14	4 x M12	16	85
RDRFLD0320	32	1"	25	42	117	14	85	14	4 x M12	16	120
RDRFLD0400	40	1"1/4	32	51	143	15	100	18	4 x M16	16	190
RDRFLD0500	50	1"1/2	40	62	153	16	110	18	4 x M16	16	225
RDRFLD0630	63	2"	50	78	165	18	125	18	4 x M16	16	281
RDRFLD0750	75	2"1/2	65	92	185	19	145	18	4 x M16	16	351
RDRFLD0900	90	3"	80	110	200	20	160	18	8 x M16	16	442
RDRFLD1100	110	4"	100	135	220	22	180	18	8 x M16	16	517
RDRFLD1250	125		110	149	230	24	190	18	8 x M16	16	555
RDRFLD125M	125		125	149	250	26	210	18	8 x M16	16	960
RDRFLD1400	140	5"	125	167	250	26	210	18	8 x M16	16	687
RDRFLD1600	160	6"	150	192	285	28	240	22	8 x M20	16	960
RDRFLD2000	200		200	235	340	30	295	22	8 x M20	10	1241
RDRFLD2250	225	8"	200	250	340	30	295	22	8 x M20	10	1150
RDRFLD2500	250		250	280	395	34	350	22	12 x M20	10	1680
RDRFLD2800	280	10"	250	309	396	30	350	22	12 x M20	10	1880
RDRFLD3150	315	12"	300	349	465	40	400	22	12 x M20	10	3050
RDRFLD3550	355		350	388	511	34	460	22	16 x M20	5	3550
RDRFLD4000	400		400	438	572	34	515	25	16 x M22	5	4500



NSF and WRAS certifications: only for valves with EPDM seals. Certifications and approvals are related to items declared on Official Listing or certificates. /
 Certificazioni NSF e WRAS: valide solo per le valvole con guarnizioni EPDM. Le certificazioni si riferiscono ai prodotti dichiarati nelle Official Listing o sui certificati stessi.

All descriptions and illustrations in this publication are intended for guidance only and shall not constitute a 'sale by description'. All dimensions given are nominal, while changes can be done on the information, products and specifications from time to time for a variety of reasons, without prior notice. The information in this publication is provided 'as is' on the revision date stated on the sheet. Updates will not be issued automatically. This information is not intended to have any legal effect, whether by way of advice, representation or warranty (express or implied). We accept no liability whatsoever (to the extent permitted by law) if you place any reliance on this publication you must do so at your own risk. All rights reserved. Copyright in this publication belongs to Polypipe Italia and all such copyright may not be used, sold, copied or reproduced in whole or part in any manner in any media to any person without prior consent. **EFFAST** is a registered trademark.

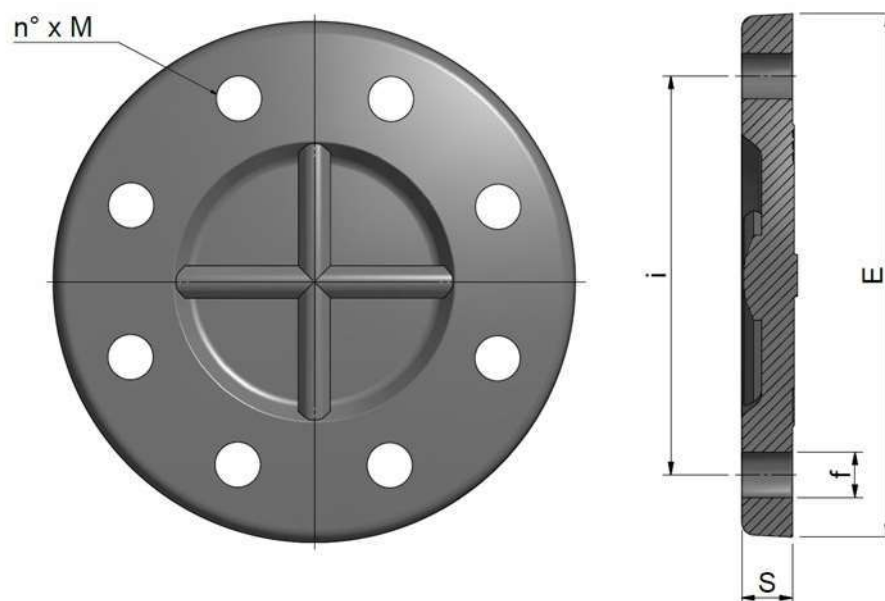
PVC-U Solvent welded metric fittings

PVC-U Raccordi per incollaggio metrici

BLANKING FLANGE EN/ISO/DIN

FLANGIA CIECA EN/ISO/DIN

Rev. Oct 2020



Code	d	DN	S	E	i	f	n° x M	PN	Weight (g)
RDRFCD0200	20	1/2"	15	11	95	65	4 x M12	16	76
RDRFCD0250	25	3/4"	20	12	105	75	4 x M12	16	95
RDRFCD0320	32	1"	25	14	115	85	4 x M12	16	135
RDRFCD0400	40	1"1/4	32	15	141	100	4 x M16	16	225
RDRFCD0500	50	1"1/2	40	16	150	110	4 x M16	16	270
RDRFCD0630	63	2"	50	18	165	125	4 x M16	16	370
RDRFCD0750	75	2"1/2	65	19	185	145	4 x M16	16	495
RDRFCD0900	90	3"	75	20	200	160	8 x M16	16	655
RDRFCD1100	110	4"	100	22	220	180	8 x M16	16	850
RDRFCD1250	125		110	24	230	190	8 x M16	16	955
RDRFCD1400	140	5"	125	26	250	210	8 x M16	16	1163
RDRFCD1600	160	6"	150	28	285	240	8 x M20	16	1610
RDRFCD2000	200		200	30	345	295	8 x M20	10	3590
RDRFCD2250	225	8"	200	30	345	295	8 x M20	10	3590
RDRFCD2500	250		225	30	399	350	12 x M20	8	4600
RDRFCD3150	315		300	30	450	400	12 x M20	6	7100
RDRFCD4000	400		400	30	570	515	16 x M22	6	10500

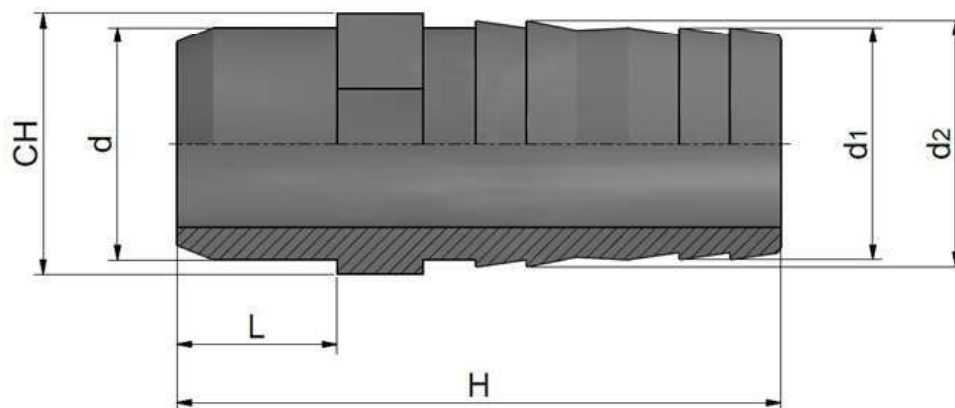


NSF and WRAS certifications: only for valves with EPDM seals. Certifications and approvals are related to items declared on Official Listing or certificates. /
 Certificazioni NSF e WRAS: valide solo per le valvole con guarnizioni EPDM. Le certificazioni si riferiscono ai prodotti dichiarati nelle Official Listing o sui certificati stessi.

PVC-U Solvent welded metric fittings
PVC-U Raccordi per incollaggio metrici

HOSE ADAPTOR
PORTAGOMMA

Rev. Mar 2021



Code	d	d1	d2	L	H	CH	PN	Weight (g)
RDRPGD0120	12	12	14	12	56	-	16	6
RDRPGD0160	16	16	18	14	66	19	16	14
RDRPGD0200	20	20	22	16	70	24	16	20
RDRPGD0250	25	25	27	19	79	30	16	30
RDRPGD0320	32	32	34	22	83	36	16	47
RDRPGD0400	40	40	42	26	96	46	16	72
RDRPGD0500	50	50	52	31	107	55	16	135
RDRPGD0630	63	60	63	38	130	65	16	208

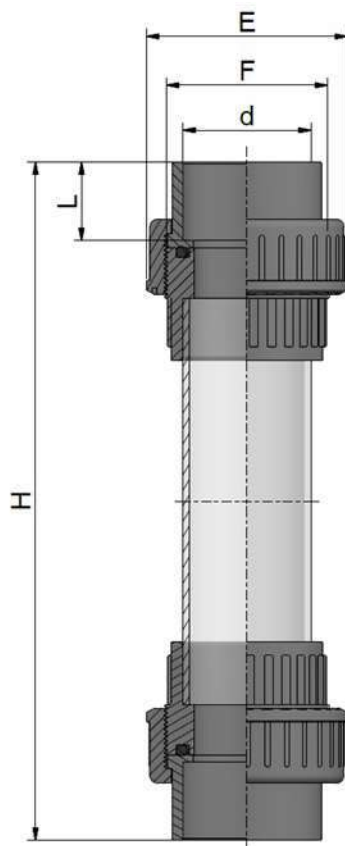


NSF and WRAS certifications: only for valves with EPDM seals. Certifications and approvals are related to items declared on Official Listing or certificates. /
 Certificazioni NSF e WRAS: valide solo per le valvole con guarnizioni EPDM. Le certificazioni si riferiscono ai prodotti dichiarati nelle Official Listing o sui certificati stessi.

PVC-U Solvent welded metric fittings
PVC-U Raccordi per incollaggio metrici

SIGHTGLASS
INDICATORE DI FLUSSO

Rev. May 2019

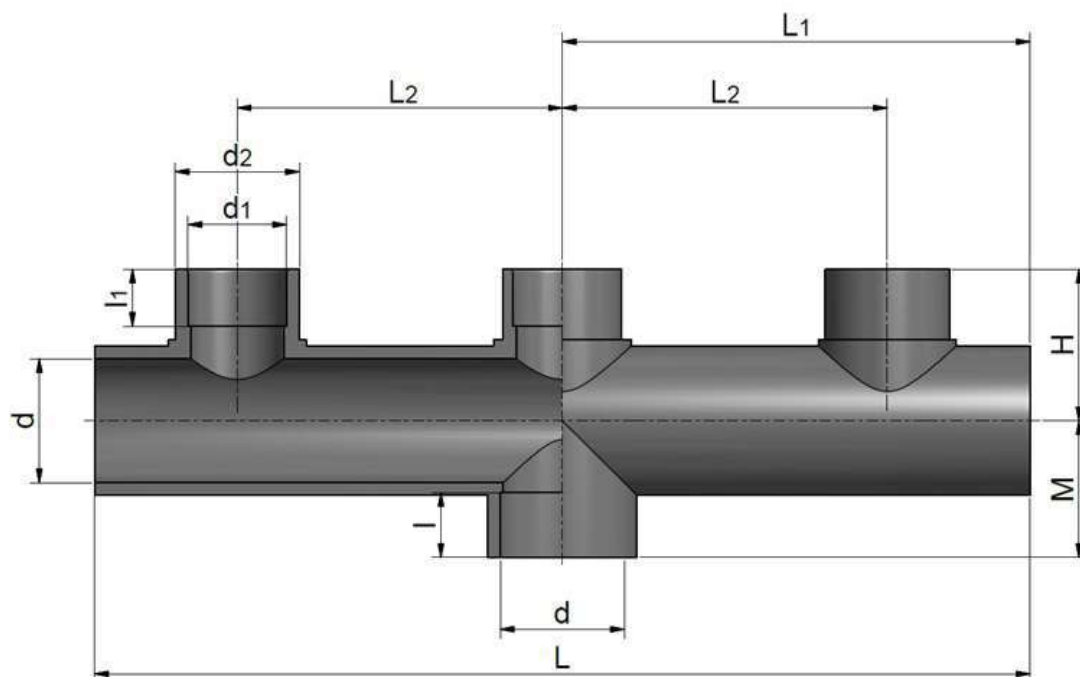


Code	d	L	H	E	F	PN	Weight (g)
RDRIND0500	50	31	297	81	2"1/4	10	490
RDRIND0630	63	38	322	99	2"3/4	10	820

PVC-U Solvent welded metric fittings
PVC-U Raccordi per incollaggio metrici

3 WAYS MANFOLD
COLLETTORE DI DISTRIBUTORE A TRE VIE

Rev. Jun 2020



Code	d	d1	d2	l	l1	L	L1	L2	H	M	Weight (g)
RDRCLD050F	50	40	50	31	26	388	194	135	65	58	770
RDRCLD063F	63	40	50	35	35	380	-	131	56,5	73,5	933
RDRCLD063G	63	50	63	38	31	475	237,5	165	77	73	1274

All descriptions and illustrations in this publication are intended for guidance only and shall not constitute a 'sale by description'. All dimensions given are nominal, while changes can be done on the information, products and specifications from time to time for a variety of reasons, without prior notice. The information in this publication is provided 'as is' on the revision date stated on the sheet. Updates will not be issued automatically. This information is not intended to have any legal effect, whether by way of advice, representation or warranty (express or implied). We accept no liability whatsoever (to the extent permitted by law) if you place any reliance on this publication you must do so at your own risk. All rights reserved. Copyright in this publication belongs to Polypipe Italia and all such copyright may not be used, sold, copied or reproduced in whole or part in any manner in any media to any person without prior consent. **EFFAST** is a registered trademark.